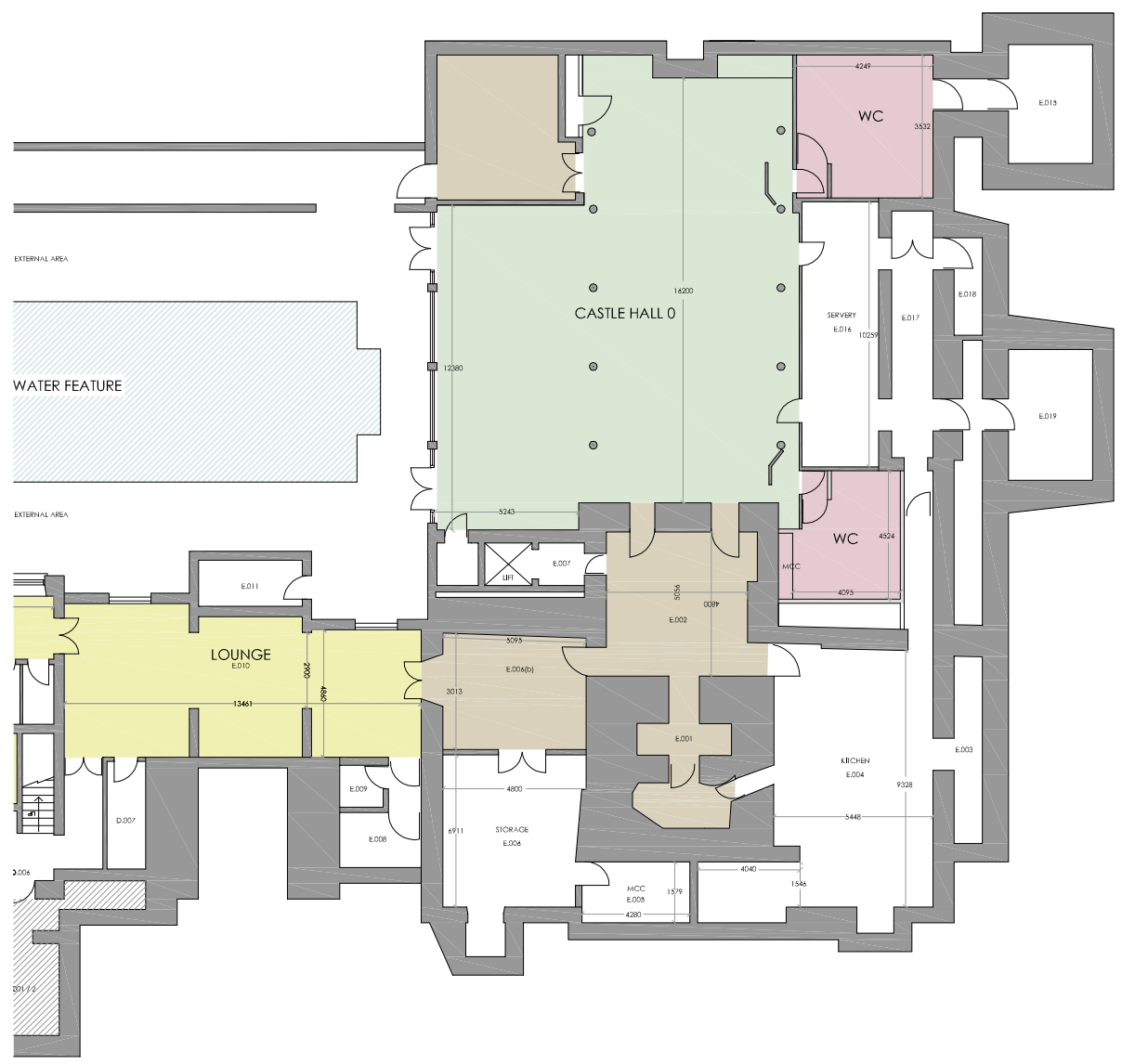
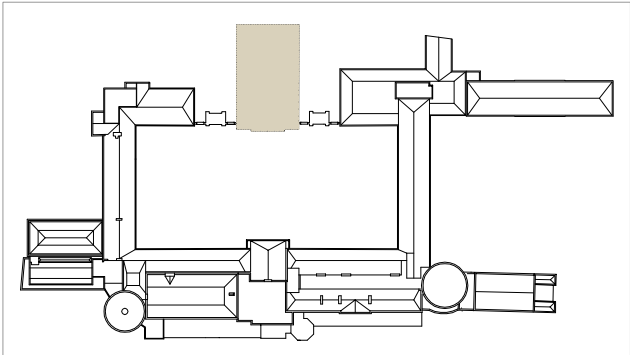


KEY PLAN

- LEGEND
- main plenary room
 - function room / break out room
 - circulation space
 - delegation area / office space
 - cloakroom areas
 - WC

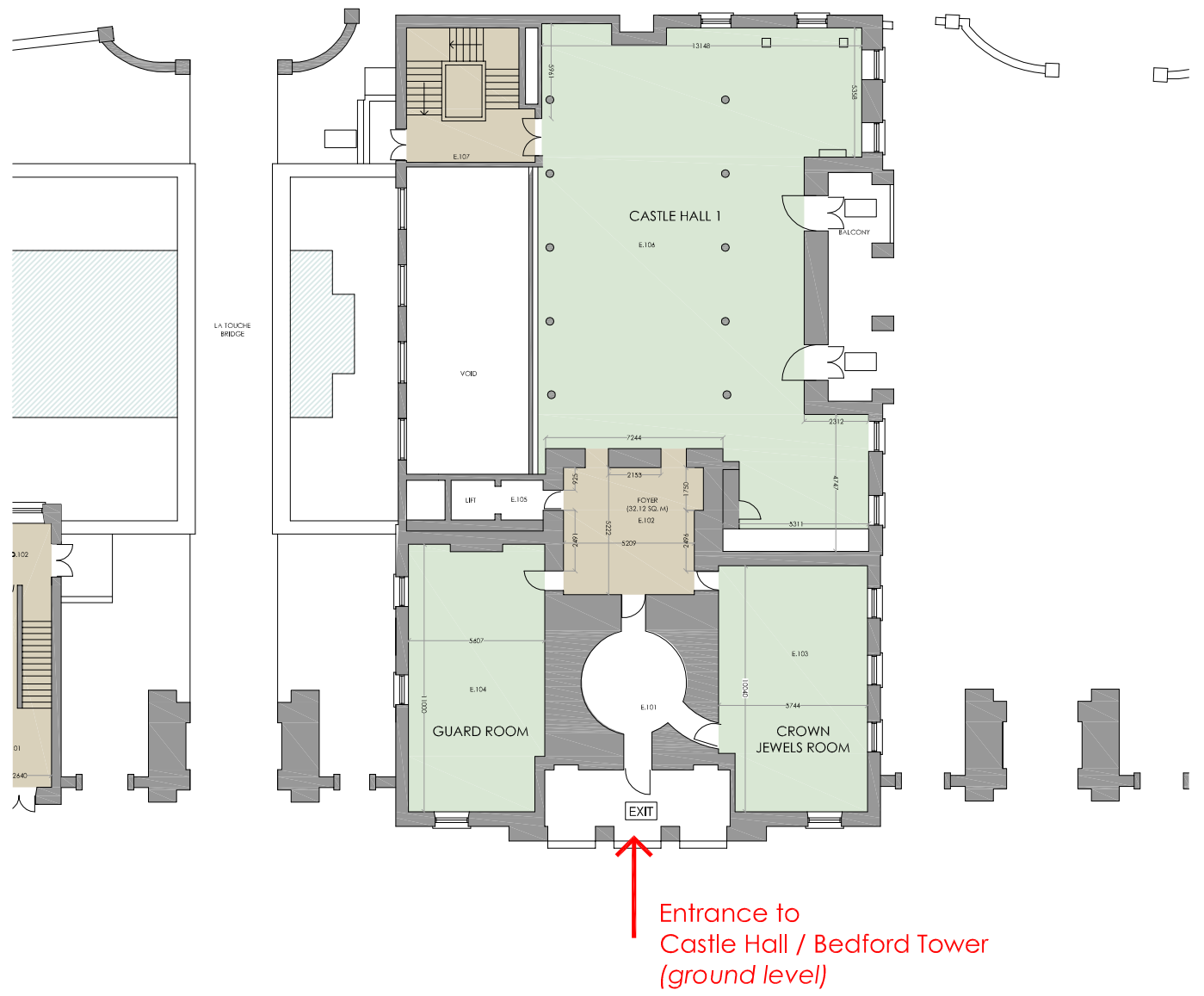


BEDFORD TOWER / CASTLE HALL - LOWER GROUND FLOOR LEVEL

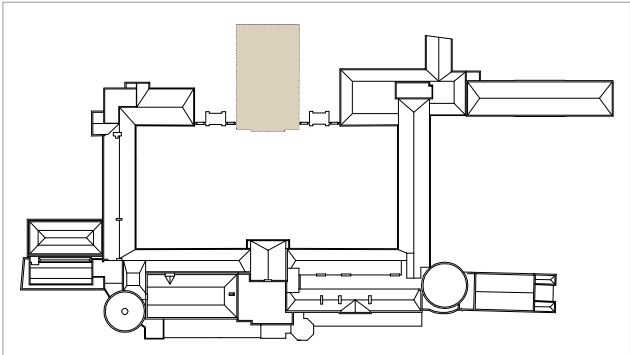


KEY PLAN

- LEGEND
- main plenary room
 - function room / break out room
 - circulation space
 - delegation area / office space
 - cloakroom areas
 - WC



BEDFORD TOWER / CASTLE HALL - GROUND FLOOR LEVEL

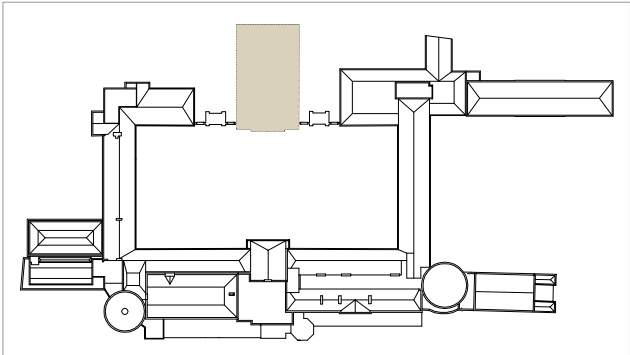


KEY PLAN

- LEGEND
- main plenary room
 - function room / break out room
 - circulation space
 - delegation area / office space
 - cloakroom areas
 - WC

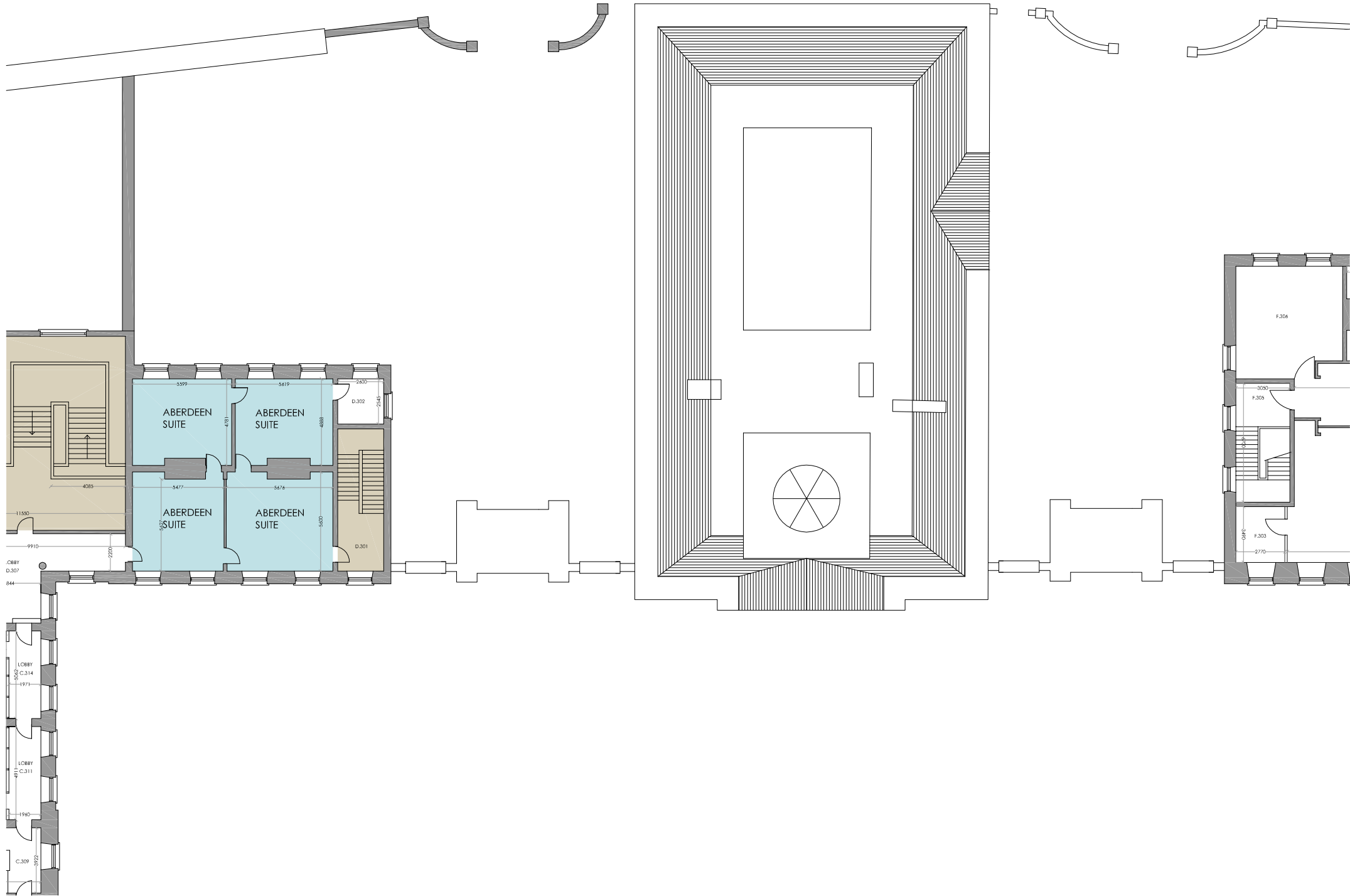


BEDFORD TOWER / CASTLE HALL - FIRST FLOOR LEVEL



KEY PLAN

- LEGEND
- main plenary room
 - function room / break out room
 - circulation space
 - delegation area / office space
 - cloakroom areas
 - WC



CONFERENCE CENTRE - SECOND FLOOR LEVEL