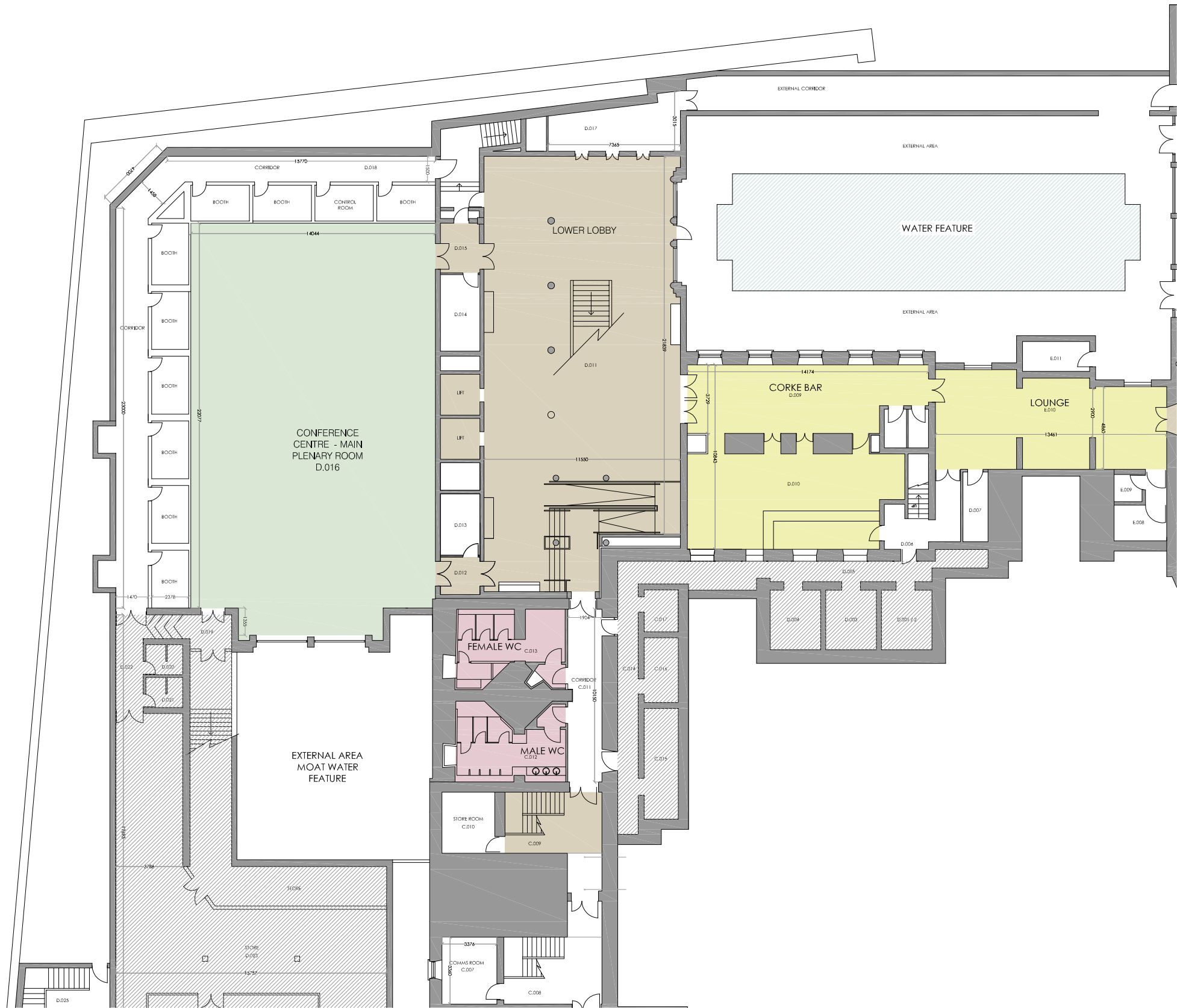
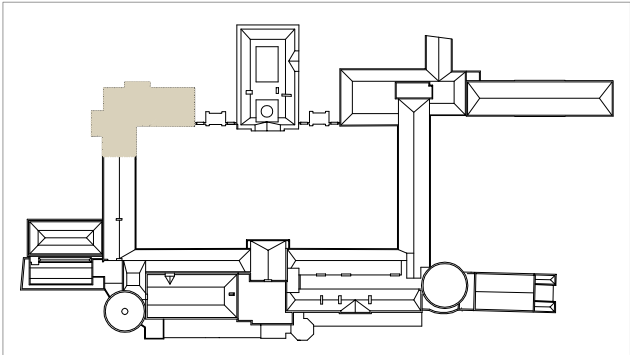


KEY PLAN

- LEGEND
- main plenary room
  - function room / break out room
  - circulation space
  - delegation area / office space
  - cloakroom areas
  - WC

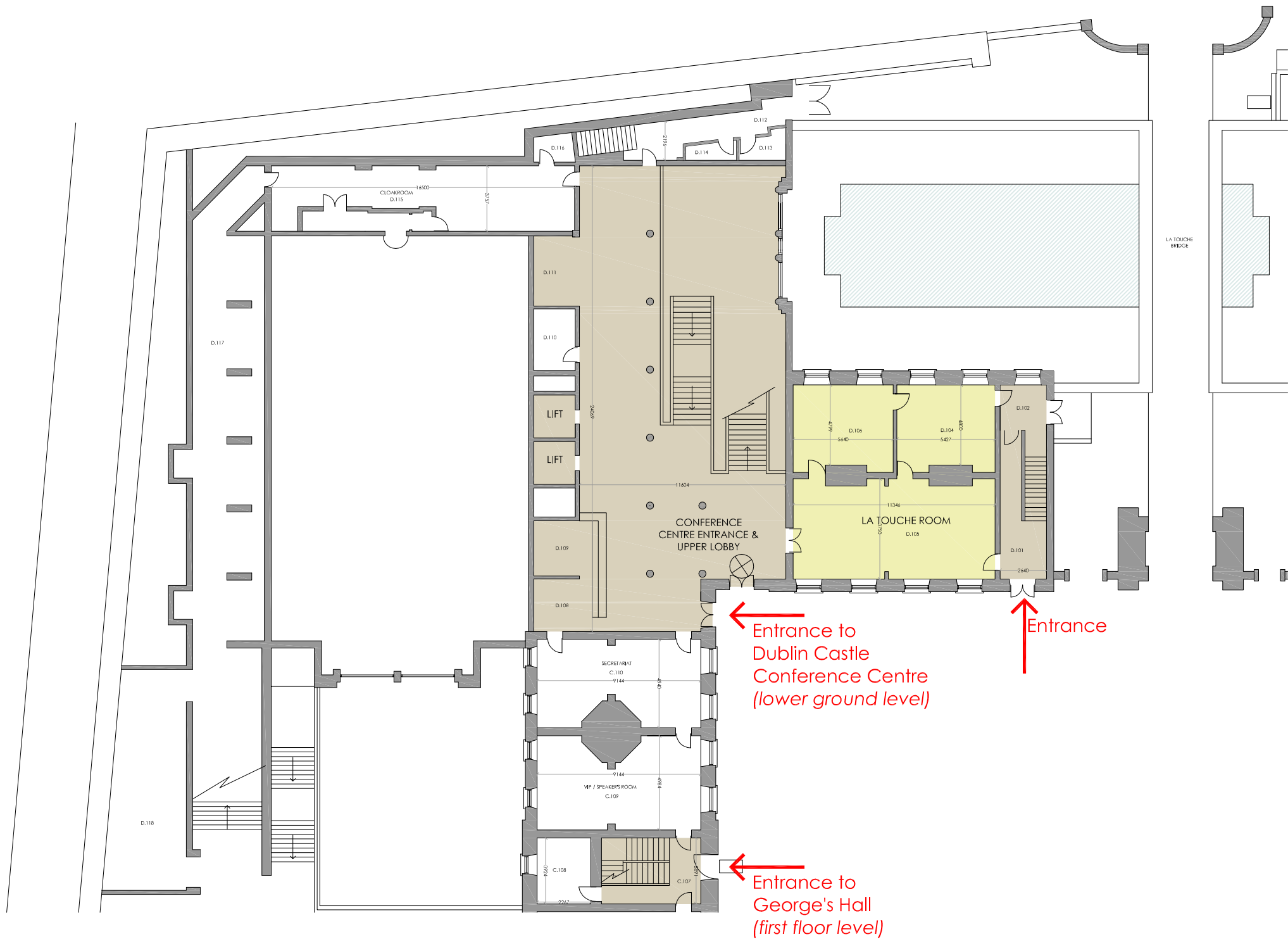


CONFERENCE CENTRE - LOWER GROUND FLOOR LEVEL

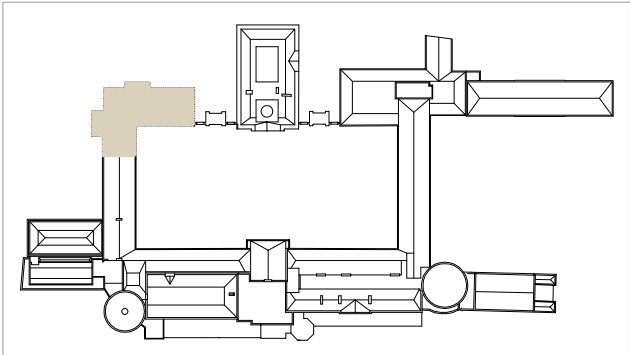


KEY PLAN

- LEGEND
- main plenary room
  - function room / break out room
  - circulation space
  - delegation area / office space
  - cloakroom areas
  - WC

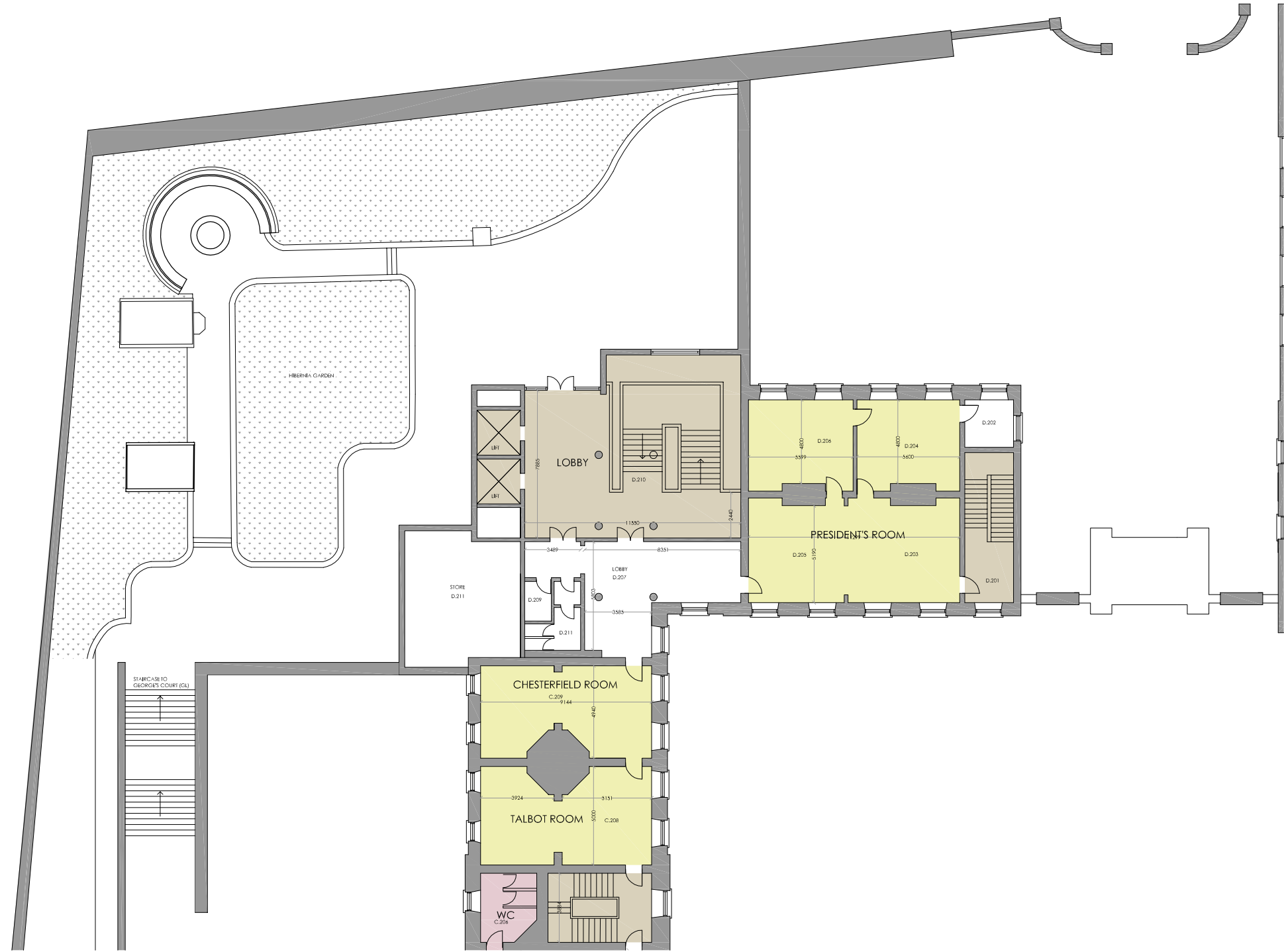


CONFERENCE CENTRE - GROUND FLOOR LEVEL

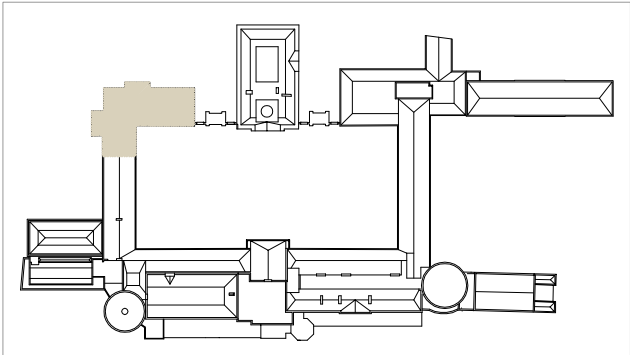


KEY PLAN

- LEGEND
- main plenary room
  - function room / break out room
  - circulation space
  - delegation area / office space
  - cloakroom areas
  - WC

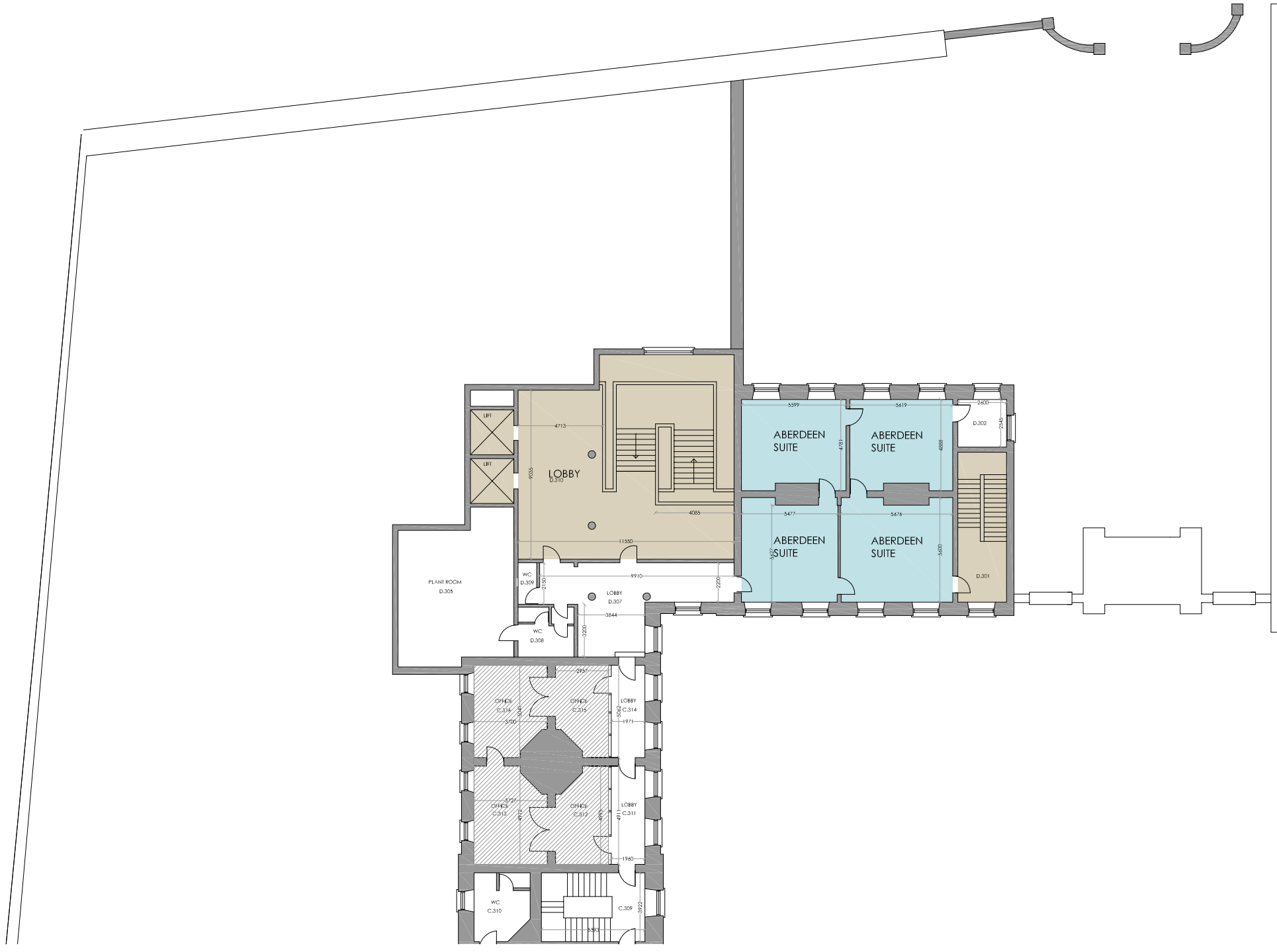


CONFERENCE CENTRE - FIRST FLOOR LEVEL



KEY PLAN

- LEGEND
- main plenary room
  - function room / break out room
  - circulation space
  - delegation area / office space
  - cloakroom areas
  - WC



CONFERENCE CENTRE - SECOND FLOOR LEVEL